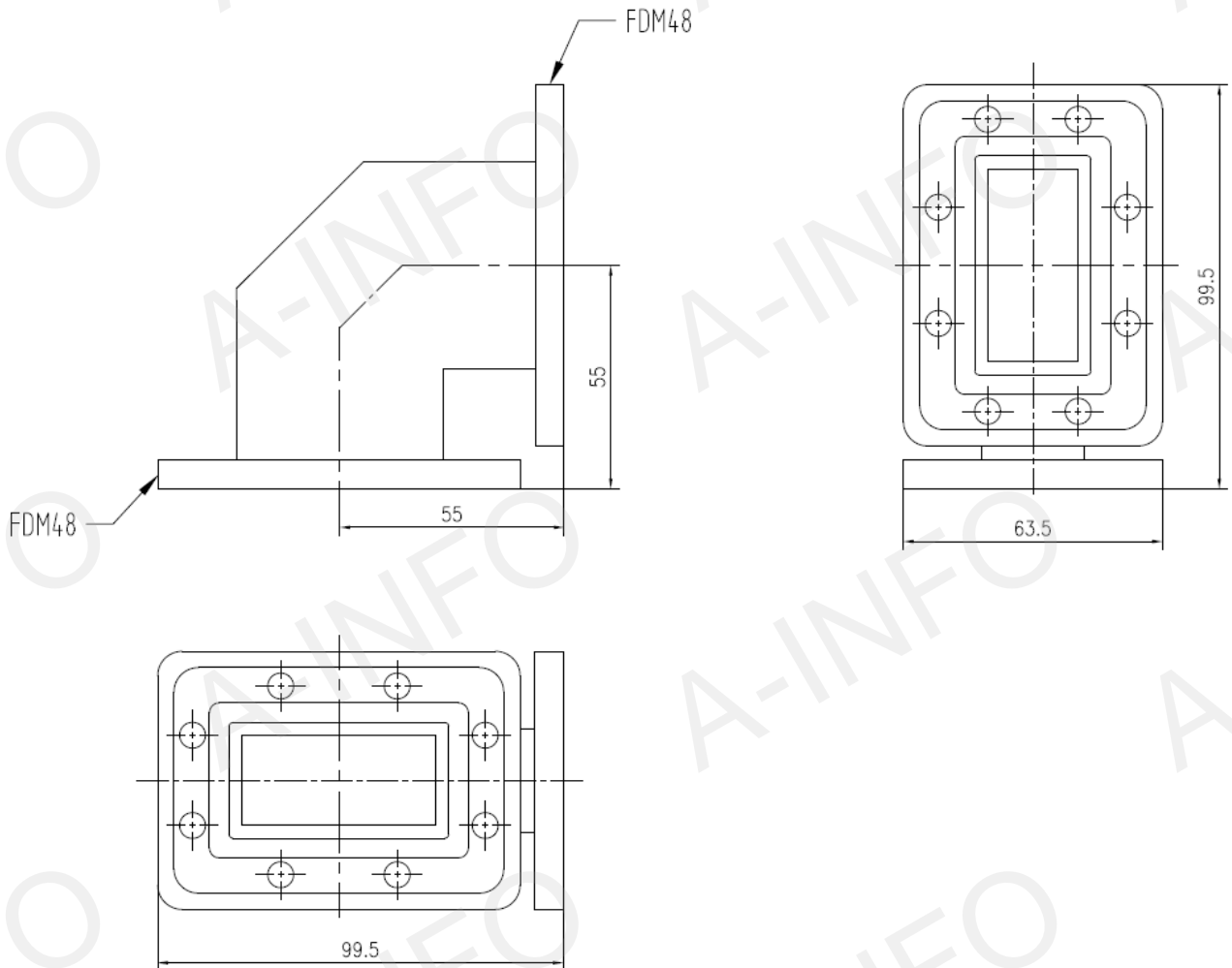


## Technical Specification

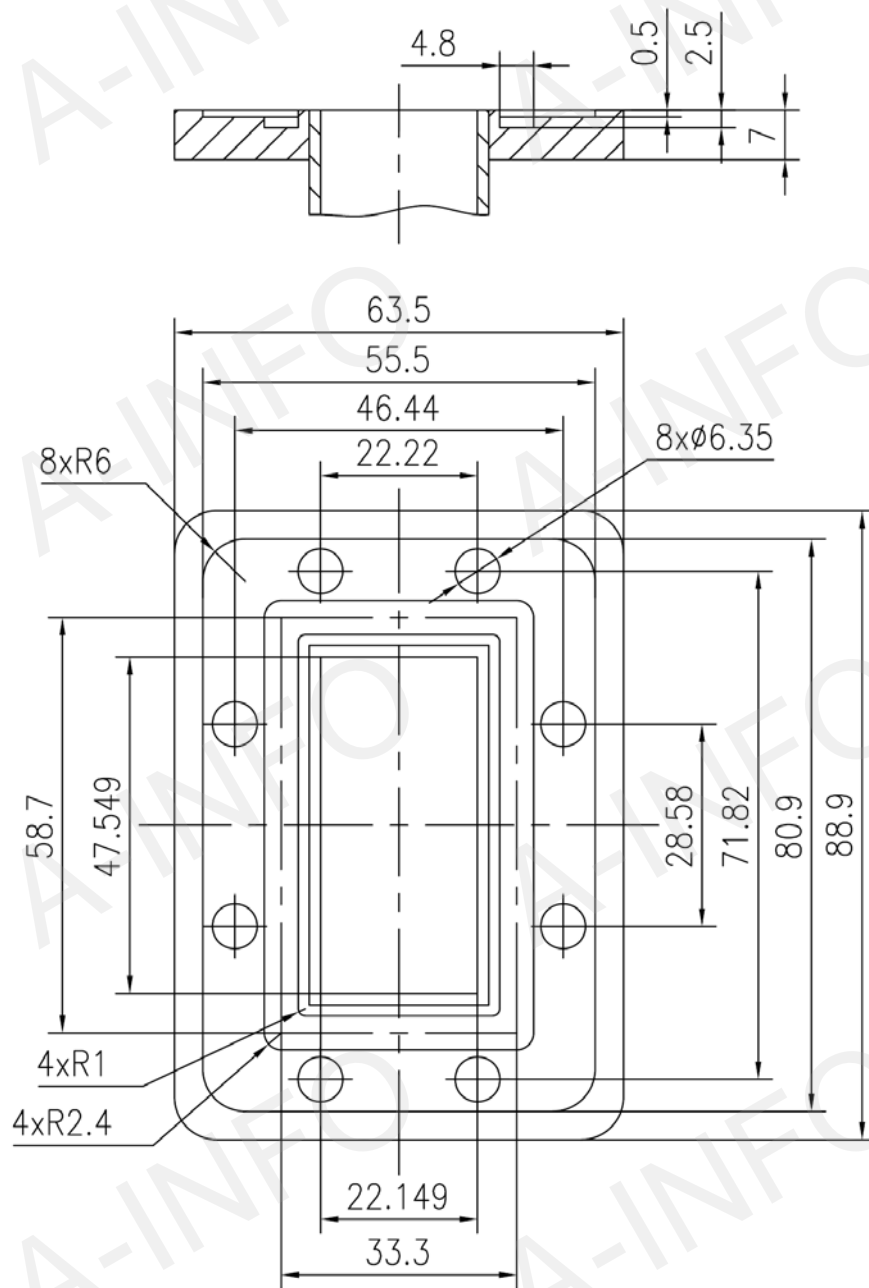


EIA WR	WR187
Frequency Range(GHz)	3.95 - 5.85
VSWR	1.30 max
Flange	FDM48
Material	Al
Size(mm)	99.5x99.5x63.5
Net Weight(Kg)	0.21 Around

## Outline Drawing (Size: mm)



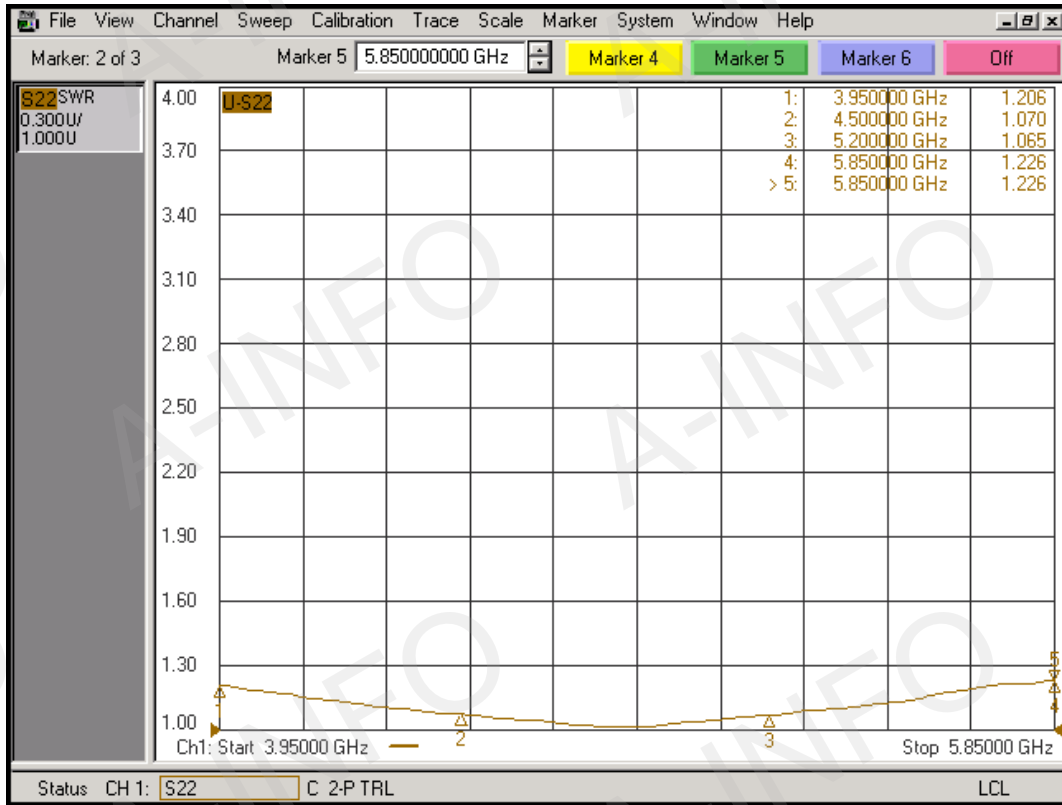
## Flange Drawing (Size: mm)



## FDM48

## Test Results

### VSWR



### Insertion Loss

